



# Mezzanine Safety Gate: Pivot Model

## *Avoid Falls From Mezzanines*

### Specifications

- Patented
- Tubular steel frame
- Unit shipped completely assembled  
Simply bolts to mezzanine
- Painted safety yellow
- Easily pivots to up or down position

The Protect-O-Gate Pivot Gate eliminates the potential for falls and other accidents associated with mezzanine loading areas. The Protect-O-Gate's enclosed work station eliminates the need for unsafe conventional devices, such as swing gates or chains.

**Additional models available to accommodate all your fall protection needs.**



**Forklift has access to staging area. Mezzanine worker is protected from staging area.**



**Protect-O-Gate easily pivots to change positions.**



**Also available in double pallet model**



**Can be easily customized. Custom finishes available.**

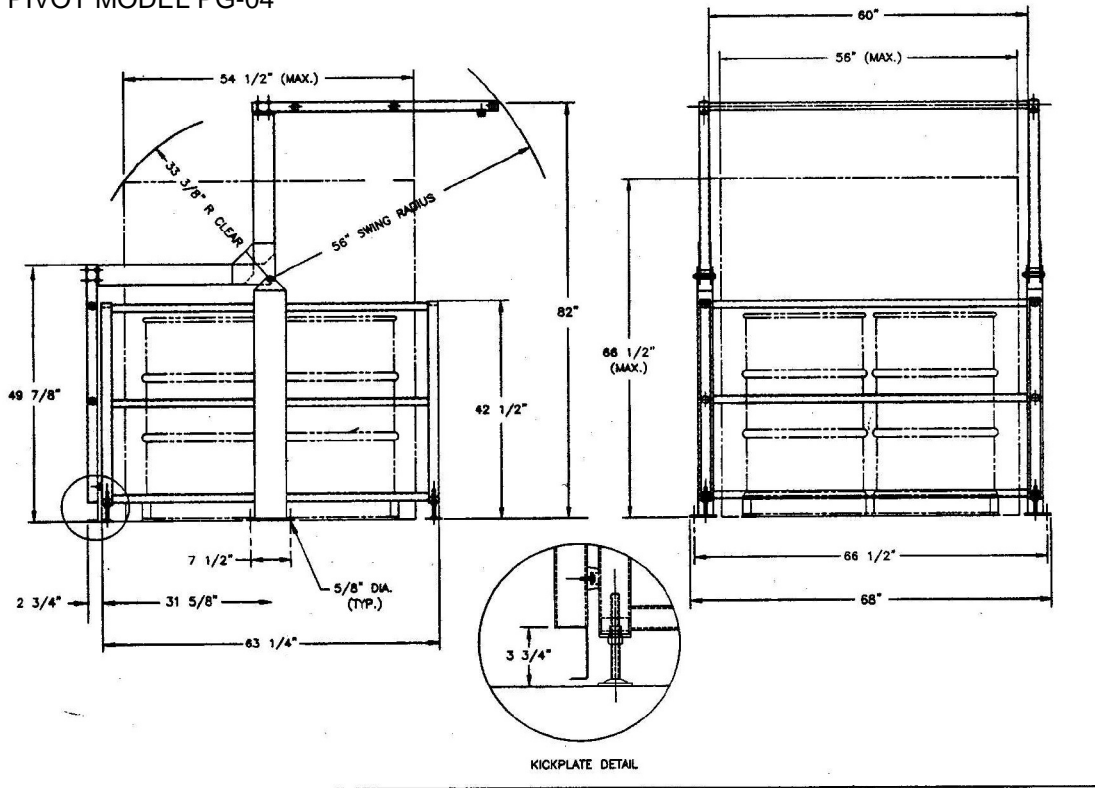


**Mezzanine worker has access to staging area while being protected from ledge.**

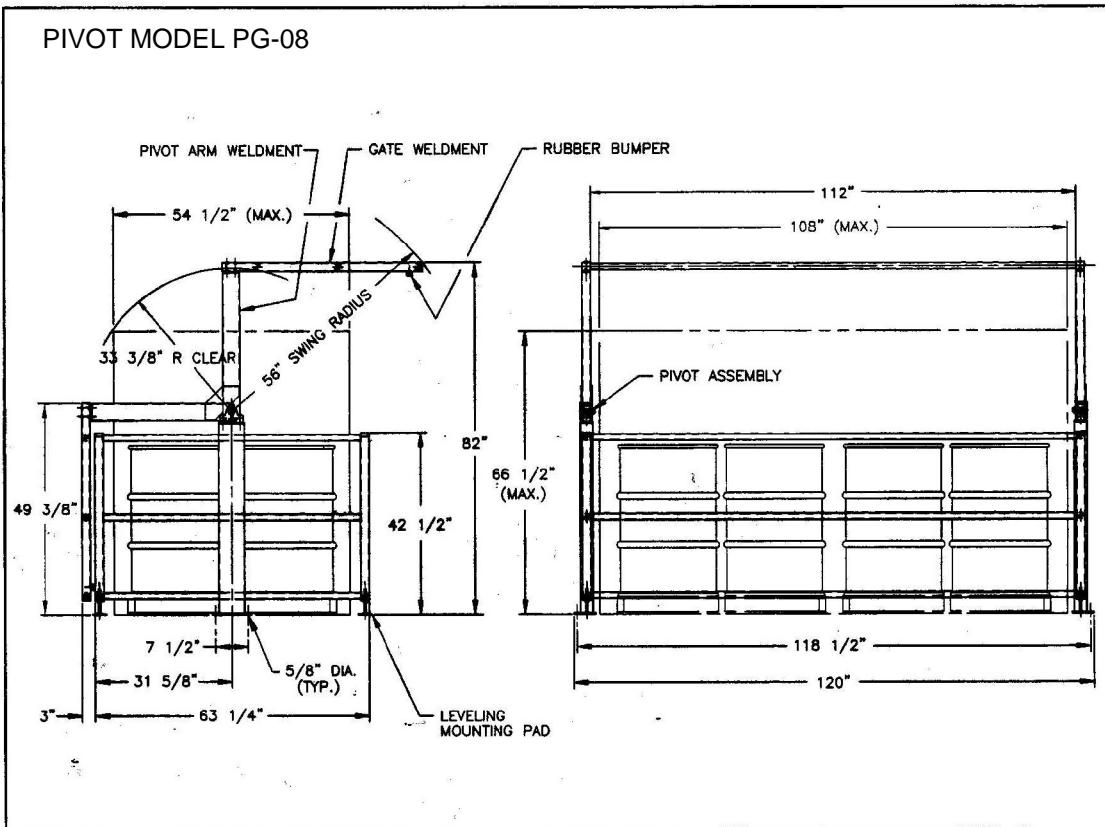
## **BENKO PRODUCTS INC.**

5350 Evergreen Pkwy, Sheffield Village, Ohio 44054 (440)934-2180 Fax(440)934-4052  
www.benkoproducts.com E-mail: info@benkoproducs.com

PIVOT MODEL PG-04



PIVOT MODEL PG-08



This document was created with Win2PDF available at <http://www.win2pdf.com>.  
The unregistered version of Win2PDF is for evaluation or non-commercial use only.  
This page will not be added after purchasing Win2PDF.