

SPECIFICATIONS

Sahara Hot Box Model E4

The Hot Box has many unique features:

- Rugged steel construction
- Precise digital temperature control
- Portable. Just pick up with a forklift.
- Built-in spill containment.

CAPACITY

4 drums or 1 tote handled on a standard 4'x4' pallet.

MATERIALS OF CONSTRUCTION

All steel construction includes 12 gauge interior walls and 14 gauge exterior walls. Integrated framing and structural members ensure toughness. 304 stainless steel construction available.

DIMENSIONS

Interior dimensions (59"W x 55"D x 48"H) and exterior dimensions (66"W x 62"D x 67" H).

INSULATION

3" thick, 6# density mineral wool

HEATING MEDIUM

Electricity

HEAT CAPACITY

- 10KW (optional kw ratings available).

- 240 volt or 480 volt, 3 phase (additional voltages available).
- Digital temperature controller with independent high temperature cut off.

TEMPERATURE RANGE

Room temperature to 350°F.

SPILL CONTAINMENT PAN

55 gallon capacity

FINISH

- Exterior finished with acrylic enamel.
- Interior finished with heat resistant silver.
- Stainless steel available.

WEIGHT

2,000 lbs.

INSTALLATION

Unit is shipped completely assembled. Simply set in place and hook up power supply.

AIR CIRCULATION

330 cfm air circulation blower with controls. 1/3 HP, TEFC.

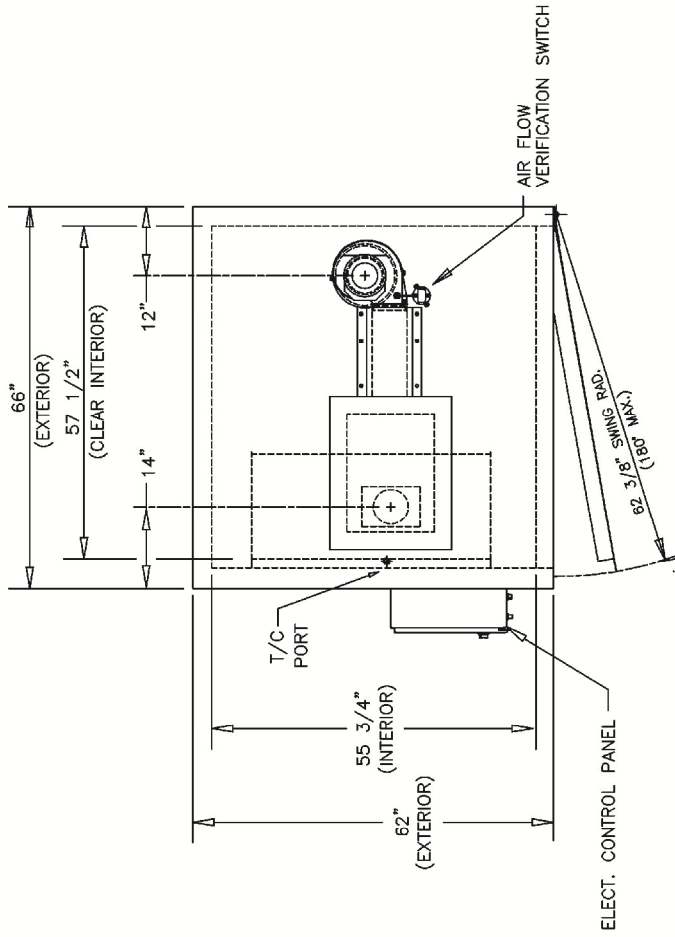
OPTIONAL

- 4" vent with damper
- 330 cfm air circulation blower with controls. 1/3 HP, TEFC.
- Interior door latch
- Outdoor use package
- Chart recorder
- Door switch
- Adjustable timer

*Zero ground clearance model available for use with pallet jack
*Electric models not to be used to heat flammable or combustible materials. Electric models are not explosion proof rated and should not be used in hazardous locations.



SAHARA MODEL 10E4-CS



- NOTES:**
1. UNIT WEIGHT: 2000 Lbs. (AS SHOWN)
 2. FINISH:
EXTERIOR: ACRYLIC ENAMEL
INTERIOR: HEAT RESISTANT SILVER
 3. HEATING MEDIUM:
(4) 2.5KW ELECTRIC HEATING ELEMENTS
240/480V/3ø/60HZ
 4. SPILL CONTAINMENT: 55 GALLONS
 5. MATERIALS:
EXTERIOR: HRS, 14 GA. (.075")
INTERIOR: HRS, 12 GA. (.105")
FORMED CHANNEL GRATING
INSULATION: 3" X 6# DENSITY MINERAL WOOL
(ALL WALLS, FLOOR, CEILING AND DOOR)
 6. OPTIONS:
330 CFM BLOWER (SHOWN)
240/480V/.33 HP
4" VENT WITH DAMPER
INTERIOR SAFETY DOOR LATCH
OUTDOOR PACKAGE

