



# HORIZONTAL LIFELINE SYSTEM DATA SHEET

## PRODUCT DESCRIPTION

G-Raff Horizontal Lifeline Systems are designed to provide safe access and fall protection on the tops of hopper cars, tank cars and tank trucks.

## SYSTEM FEATURES

- Multi-Span, Sayflida Horizontal Lifeline System
- G-Raff Insta-Rack Platform and folding extension gangway
- Rugged steel cable supports
- Single or multiple car applications



## MATERIALS OF CONSTRUCTION

- Insta-Rack Platform and Stairway: All steel construction
- Sayflida components: Stainless steel
- Cable supports: All steel construction.

## FINISH

- Standard gray primer.
- Hot dipped galvanized available.
- Top coat per customer specification available.

## APPROXIMATE WEIGHTS

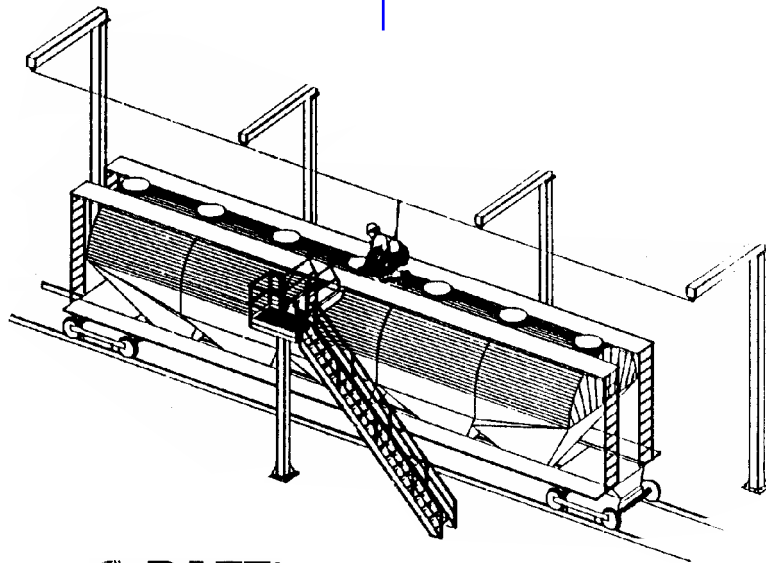
- Insta-Rack Platform and Gangway 2,500 lbs.
- Cable supports 2,200 lbs. each.

## SAFETY

Meets OSHA requirements as interpreted.

## INSTALLATION

Complete assembly instructions provided. Installation of the Sayflida system will be provided by a Sayflida technician.



**BENKO PRODUCTS INC.**

5350 Evergreen Pkwy, Sheffield Village, OH 44054

(440)934-2180 Fax(440)934-4052

[www.g-raffsystems.com](http://www.g-raffsystems.com) e-mail: [dingram@g-raffsystems.com](mailto:dingram@g-raffsystems.com)